

1/2"-Size



|                            |              |                         |             |                    |  |
|----------------------------|--------------|-------------------------|-------------|--------------------|--|
| <b>Spannung</b><br>Voltage | <b>250 V</b> | <b>Strom</b><br>Current | <b>16 A</b> | <b>Typ</b><br>Type | <b>Autom. Rückstellung</b><br>Auto Reset |
|----------------------------|--------------|-------------------------|-------------|--------------------|--|



|  |  |
|--|--|
| Schaltzyklen / <i>Switching cycles:</i>                                | 30.000 @ 16 A<br>100.000 @ 10 A  |
| Betriebstemperatur-Reichweite /<br><i>Operating temperature range:</i> | -45 °C bis / to 250 °C<br>Frei wählbar / <i>Freely selectable</i>  |
| Aufbau / <i>Construction:</i>  | <b>Empfehlung / <i>Recommendation:</i></b><br>bis / up to 180 °C: Kunststoff / <i>Plastics</i><br>ab / from 180 °C: Keramik / <i>Ceramics</i><br><u>Optional:</u> Silikon / <i>Silicone</i> , Stahl / <i>Steel</i><br><b>Materialien frei wählbar / <i>Materials freely selectable</i></b> |
| Rücksetztemperatur / <i>Reset temperature:</i>                         | Auf Anfrage / <i>On request</i><br>(Minimum: 5 °C ± 3 °C)  |
| Schaltzeit / <i>Contact operating time:</i>                            | 3 ms   |
| Isolationswiderstand / <i>Insulation resistance:</i>                   | > 50 MΩ  |
| Schutzart / <i>Degree of protection:</i>                               | IP4X, IP64   |
| Verpackungsmöglichkeiten / <i>Packing options:</i>                     | Auf Anfrage / <i>On request</i>  |

Mit Hilfe der Parameter in den folgenden Tabellen können Sie Ihren eigenen Temperaturschalter zusammenstellen. Das nachfolgende Beispiel verdeutlicht, wie Sie eine Auswahl treffen: /

You can use the parameters in the following tables to compile your own temperature switch. The following example illustrates how to make a selection:

|                 |      |     |      |     |   |        |        |
|-----------------|------|-----|------|-----|---|--------|--------|
|                 | TK24 | TXX | MGXX | BXX | X | X ± X% | X ± X% |
| Sequenz (=Seq.) | 1    | 2   | 3    | 4   | 5 | 6      | 7      |

**Beispiel / *Example:***

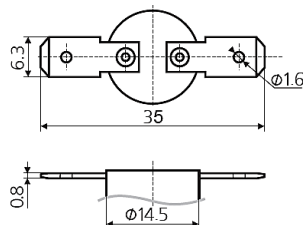
|         |      |     |      |     |   |       |       |
|---------|------|-----|------|-----|---|-------|-------|
| Art.no. | TK24 | T01 | MG04 | B2C | 2 | 60±3% | 20±5% |
|---------|------|-----|------|-----|---|-------|-------|

- |   |   |
|---|---|
| 1 = Thermostatmodell  | 2 = Anschlussversion / <i>Terminals version</i>       |
| 3 = Befestigung / <i>Mounting</i>                             | 4 = Material Gehäuse / <i>Material body</i>           |
| 5 = Kontaktart, -widerstand / <i>Contact type, resistance</i> | 6 = Betriebstemperatur / <i>Operating temperature</i> |
| 7 = Rücksetztemperatur / <i>Reset temperature</i>             |   |

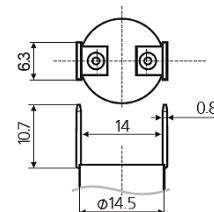
Ausschließlich Thermostat TK24 in diesem Datenblatt (Seq. 1) / Only thermostat TK24 in this data sheet (Seq. 1)

**Seq. 2: Anschlüsse / *Seq. 2 Terminals***

**T01**



**T02**

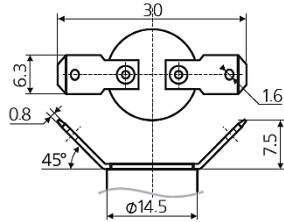


1/2"-Size

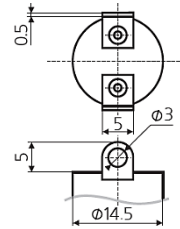


|                            |              |                         |             |                    |  |
|----------------------------|--------------|-------------------------|-------------|--------------------|--|
| <b>Spannung</b><br>Voltage | <b>250 V</b> | <b>Strom</b><br>Current | <b>16 A</b> | <b>Typ</b><br>Type | <b>Autom. Rückstellung</b><br>Auto Reset |
|----------------------------|--------------|-------------------------|-------------|--------------------|--|

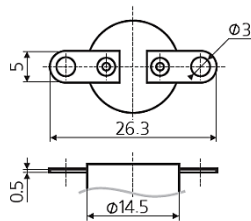
T03



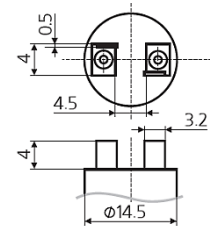
T04



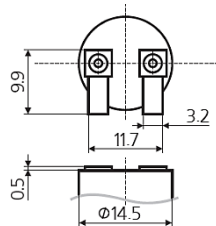
T05



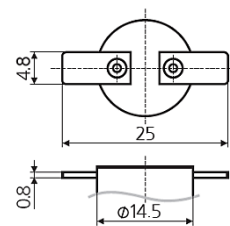
T06



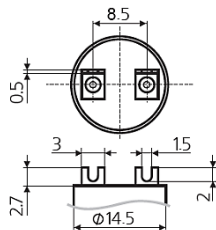
T07



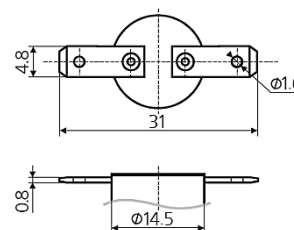
T08



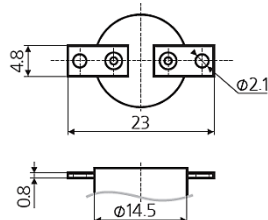
T09



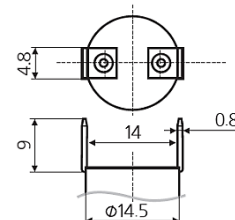
T10



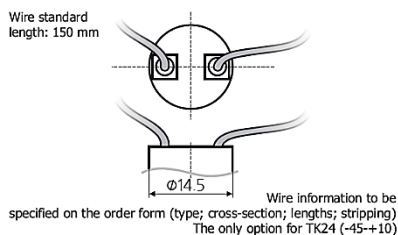
T11



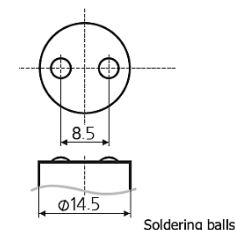
T12



T13



T14



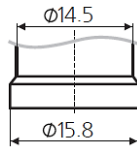
1/2"-Size



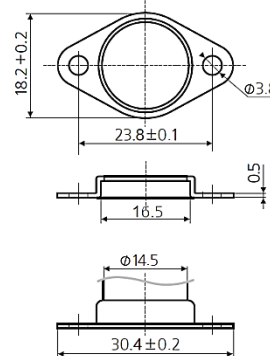
|                     |       |                  |      |      |                                   |
|---------------------|-------|------------------|------|------|-----------------------------------|
| Spannung<br>Voltage | 250 V | Strom<br>Current | 16 A | Type | Autom. Rückstellung<br>Auto Reset |
|---------------------|-------|------------------|------|------|-----------------------------------|

**Seq. 3: Befestigungen / Seq. 3: Mounting**

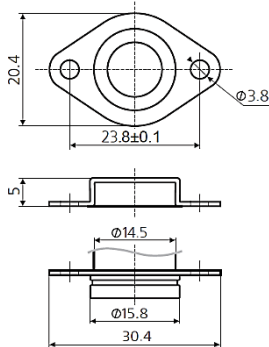
**MG00: Keine Befestigung / No mounting**



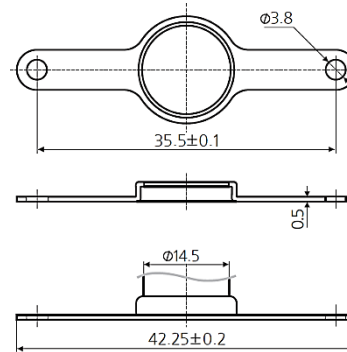
**MG01: Drehbar oder fester Clip / Rotation or fixed clip**



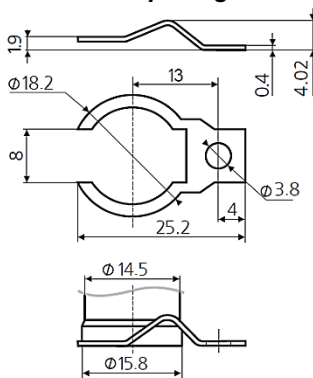
**MG02: Kappenflansch / Cap-flange**



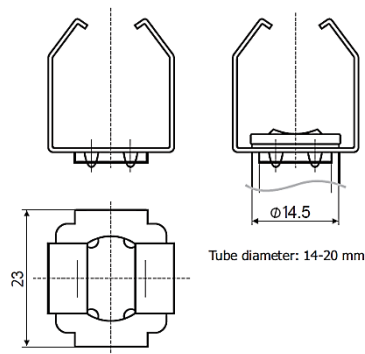
**MG03: Drehbarer Clip / Rotation clip**



**MG04: Kappenflansch / Cap-flange**



**MG05: Rohrmontage / Tube mounting**

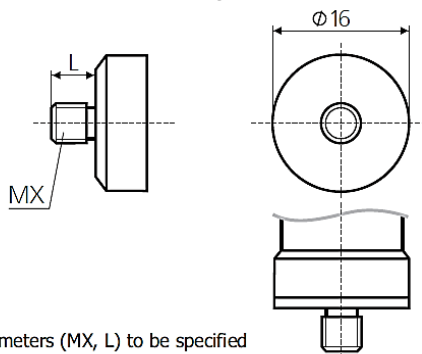


**1/2"-Size**



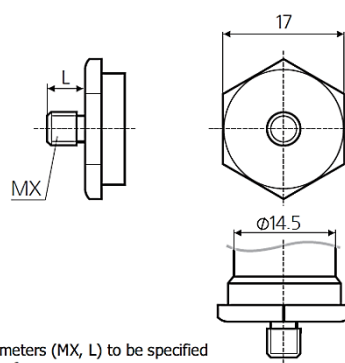
|                                   |              |                                |             |                            |   |
|-----------------------------------|--------------|--------------------------------|-------------|----------------------------|---|
| <b>Spannung</b><br><i>Voltage</i> | <b>250 V</b> | <b>Strom</b><br><i>Current</i> | <b>16 A</b> | <b>Type</b><br><i>Type</i> | <b>Autom. Rückstellung</b><br><b>Auto Reset</b> |
|-----------------------------------|--------------|--------------------------------|-------------|----------------------------|---|

**MG06: Kapfenflansch / Cap-flange**



Screw parameters (MX, L) to be specified on the order form

**MG07: Schraubkappe / Screw cap: Hexadedral 17 mm**



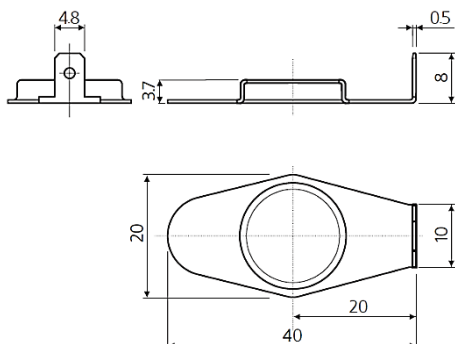
Screw parameters (MX, L) to be specified on the order form

Weitere Muttergrößen / Further nut sizes:

**MG08:** Schraubkappe / Screw cap: Sechskant / Hexagonal 16 mm

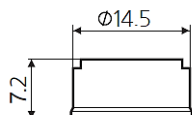
**MG09:** Schraubkappe / Screw cap: Sechskant / Hexagonal 19 mm

**MG10: Mit Erdung / With grounding**

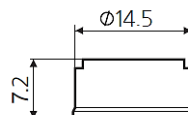


**Seq. 4: Material Gehäuse / Seq. 4: Material body**

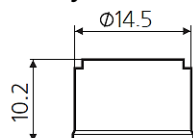
**B1P: Plastik / Plastic body**



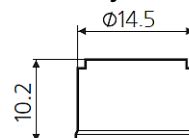
**B1C: Keramik / Ceramic body**



**B2P: Plastik / Plastic body**



**B2C: Keramik / Ceramic body**

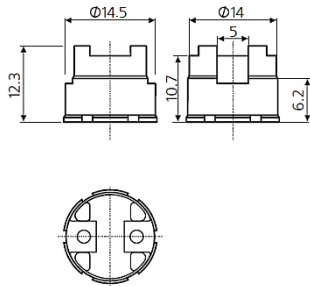


**1/2"-Size**



|                            |              |                         |             |                     |  |
|----------------------------|--------------|-------------------------|-------------|---------------------|--|
| <b>Spannung</b><br>Voltage | <b>250 V</b> | <b>Strom</b><br>Current | <b>16 A</b> | <b>Type</b><br>Type | <b>Autom. Rückstellung</b><br>Auto Reset |
|----------------------------|--------------|-------------------------|-------------|---------------------|--|

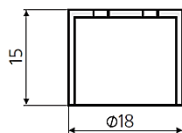
**B3C: Keramik / Ceramic body**



**B3S: Stahl / Steel body**

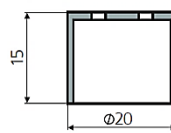


**B4P: Plastik / Plastic body**



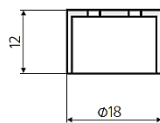
Only with lead wires  
and screw caps  
Protection degree IP64

**B4C: Keramik / Ceramic body**



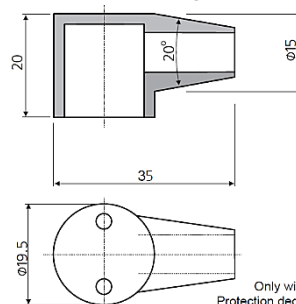
Only with lead wires  
and screw caps  
Protection degree IP64

**B5P: Plastik / Plastic body**



Only with lead wires  
Protection degree IP64

**B6S: Silikon / Silicone casing**



Only with cables  
Protection degree IP64

**Seq. 5: Kontaktart, -widerstand / Seq. 5: Contact type, resistance**

| Code | Kontaktart, Widerstand / Contact type, resistance |   |                                    |
|------|---|---|------------------------------------|
| 1    | = NC (Öffner / Opener), ≤ 50 mΩ                   | 2 | = NO (Schließer / Closer), ≤ 50 mΩ |
| 3    | = NC (Öffner / Opener), ≤ 10 mΩ                   | 4 | = NO (Schließer / Closer), ≤ 10 mΩ |
| 5    | = NC (Öffner / Opener), ≤ 5 mΩ                    | 6 | = NO (Schließer / Closer), ≤ 5 mΩ  |

**Seq. 6: Betriebstemperatur und Toleranz festlegen / Seq. 6: Set operating temperature and tolerance**

-45 °C bis / up to 245 °C ± 10 °C

**Seq. 7: Rücksetztemperatur und Toleranz festlegen / Seq. 6: Set the reset temperature and tolerance**

Mindestwert / Minimum value: 5 °C ± 3 °C